



Composite Storage Cabinet #6989

Assembly Instructions

Please open and inspect all items upon receipt. If you have any questions or concerns, please contact us immediately.

Box #	Size	Weight	Contents
Box 1	28x28x4	38 lbs.	Cabinet Top
Box 2	26x26x4	35 lbs.	Cabinet Floor & Shelf
Box 3	26x26x4	25 lbs.	Left Panel, Door & Hardware
Box 4	26x26x4	22 lbs.	Right Panel & Back Panel



Quality Commitment

Thank you for your shared commitment to connecting children with nature and your support of children's life-long learning. Nature Explore is dedicated to providing quality, research-based educational materials for your outdoor spaces, as well as outdoor classroom design services and educator workshops.

Our natural products are field-tested by trained educators who observe children using them in play—focusing on safety, educational value and versatility—prior to being offered in the Resource Guide. Our natural products, such as wooden instruments, tables or balance beams, are hand-crafted by trusted professionals who support our shared mission. All natural products are constructed of materials carefully selected for functionality, safety and durability.

We encourage you to contact us with questions or for more information on our natural products and services. If inquiring about a past or existing order, please have your order number handy (Ex: SO90001234) so we may answer your questions and provide additional information as needed. **All of our warranty, return and exchange policies can be found online or sent by request. Please contact us at service@natureexplore.org or 1-888-908-8733.**

All items created by and manufactured exclusively for Nature Explore are done so in accordance with all relevant and applicable safety standards and recommendations as set forth by the U.S. Consumer Product Safety Commission and ASTM International. Be sure to consider additional regulations that may be unique to your site.

How to Assemble a Composite Storage Cabinet

Recommended Crew: 1-2 adults

Average Assembly Time: <1 hour

Before you begin:

- Please read and follow all safety information.
- Please review assembly and installation diagrams.
- Verify component and hardware quantities received.
- Familiarize yourself with installation procedures.
- Consult local building codes and regulations.



When using volunteer labor, make sure that the person assembling the Composite Storage Cabinet has the necessary skill level.



Do not allow children to play on or near equipment that is in need of repair/replacement, is incomplete or considered unsafe as serious injury may occur.

Inspection & Maintenance:

Inspect this item before each use.

- Ensure item is stable and level on the ground
- Check to see that legs are secure and bolts/screws are snug

General Maintenance should be performed monthly-quarterly as needed to help reduce potential injuries and extend the life of your natural product.

- Tighten all screws/bolts to ensure they are snug

Tools Needed:

1. Screw Driver

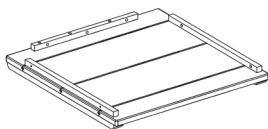
Parts List:

- 1 - Floor
- 1 - Shelf
- 1 - Right Side Panel
- 1 - Left Side Panel
- 1 - Back Panel
- 1 - Roof
- 1 - Door

Hardware:

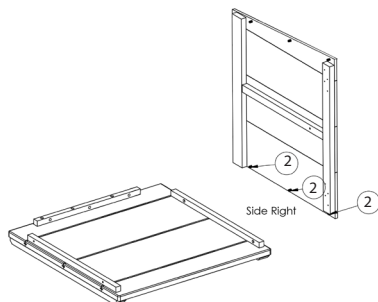
- 26 - 1" Screws
- 2 - Hinges & screws
- 1 - Handle with stock screws (discard screws)
- 2 - 1 3/8" screws

1 Place the Floor, rails down, to assemble the cabinet.



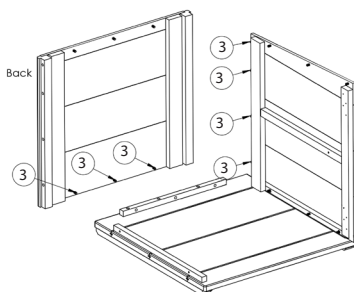
2 Next, attach the Right Side Panel to the Floor, using three screws.

! Do NOT tighten screws 100% until cabinet is fully assembled.



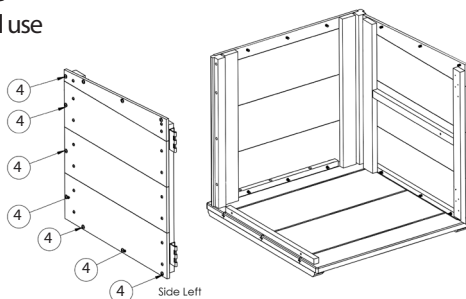
3 Attach the Back Panel to the Floor and the Right Side Panel, using seven screws.

! Do NOT tighten screws 100% until cabinet is fully assembled.

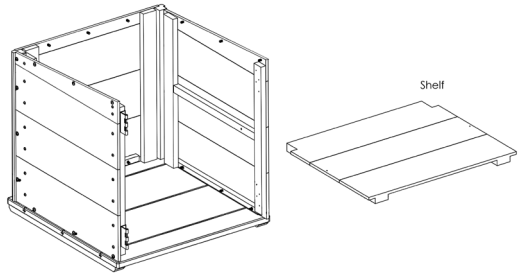


4 Now, attach the Left Side Panel to the Floor and Back Panel. You will use seven screws.

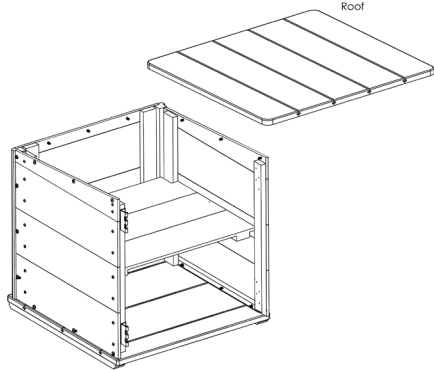
! Do NOT tighten screws 100% until cabinet is fully assembled.



5 Insert the Shelf next.

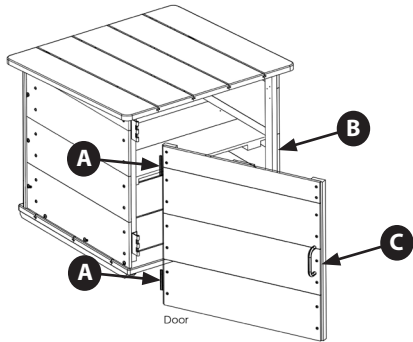


6 Slip the Roof into place. Secure the Side Panels and Back Panel to the Roof, using nine screws.



! Do NOT tighten screws 100% until cabinet is fully assembled.

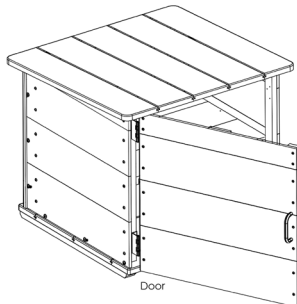
7 Hang the door on the Left Side Panel using the two provided Hinges and screws (see letter A).



8 Tighten all screws securely. Be sure not to over-tighten.

9 Using the two 1 3/8" screws (not the ones provided in the bag with the handle), attach the handle to the door. (See letter C)

10 Place the piece on a flat, level surface. Your Composite Storage Cabinet is now ready to use.



Nature Explore Natural Products are designed to bring children closer to nature and help them develop life-long learning skills. To ensure safety and effectiveness, please be sure to follow the instructions for assembly, installation, warnings, and maintenance. Failure to follow all of the instructions will void any warranty offer. Keep in mind, even properly installed Nature Explore Natural Products can present hazards to children without adequate supervision. Also be sure to check with any applicable building codes which may pertain to your outdoor space and/or use of these products.

Depending on the location and context of the outdoor classroom, the supervisors may be paid professionals (full-time park or school/child care facility staff), paid seasonal workers (college or high school students), volunteers (PTA members), or the parents of the children playing in the outdoor classroom. Ultimately the overall safety of the space depends on the quality of the supervisor's knowledge of safe play behavior. Therefore, supervisors should understand the basics of safety in an outdoor classroom.

Outdoor classroom supervisors should be aware that not all equipment and natural products are appropriate for all children who may use the outdoor classroom. Posted signs or labels indicating the appropriate age of the users should be checked before play begins, and supervisors should direct children to equipment and natural products appropriate for their age. It is also very important to recognize that younger children require more attentive supervision than older children do.

Building Codes:

Variations in building codes, specific local development covenants, or site conditions may require modification to the installation of the natural product. Outdoor classroom owners are ultimately responsible for complying with all applicable permits, building codes and other regulatory requirements, and should review their outdoor classroom with local building inspectors. All appropriate building permits should be obtained prior to starting installation.

Liability:

Nature Explore shall have no liability or responsibility for actions or inaction in connection with any Nature Explore Natural Product or any damage or liability that arises during the construction and/or use. Always read and observe all safety precautions provided by the Consumer Product Safety Council regarding toy safety, playground safety, and any other applicable programs. Likewise, always read and observe all safety precautions provided by any tool or equipment manufacturer consulted during installation.