



# Creativity Tables #6990, 6991

## Assembly Instructions

***Please open and inspect all items upon receipt. If you have any questions or concerns, please contact us immediately.***



### Quality Commitment

Thank you for your shared commitment to connecting children with nature and your support of children's life-long learning. Nature Explore is dedicated to providing quality, research-based educational materials for your outdoor spaces, as well as outdoor classroom design services and educator workshops.

Our natural products are field-tested by trained educators who observe children using them in play—focusing on safety, educational-value and versatility—prior to being offered in the Resource Guide. Our natural products, such as wooden instruments, tables or balance beams, are hand-crafted by trusted professionals who support our shared mission. All natural products are constructed of materials carefully selected for functionality, safety and durability.

We encourage you to contact us with questions or for more information on our natural products and services. If inquiring about a past or existing order, please have your order number handy (Ex: SO90001234) so we may answer your questions and provide additional information as needed. **All of our warranty, return and exchange policies can be found online or sent by request. Please contact us at [service@natureexplore.org](mailto:service@natureexplore.org) or 1-888-908-8733.**

*All items created by and manufactured exclusively for Nature Explore are done so in accordance with all relevant and applicable safety standards and recommendations as set forth by the U.S. Consumer Product Safety Commission and ASTM International. Be sure to consider additional regulations that may be unique to your site.*

# How to Assemble a Creativity Table

**Recommended Crew:** 1-2 adults

**Average Assembly Time:** <1 hour

## Before you begin:

- Please read and follow all safety information.
- Please review assembly and installation diagrams.
- Verify component and hardware quantities received.
- Familiarize yourself with installation procedures.
- Consult local building codes and regulations.



**When using volunteer labor, make sure that the person assembling the Creativity Table has the necessary skill level.**



**Do not allow children to play on or near equipment that is in need of repair/replacement, is incomplete or considered unsafe as serious injury may occur.**

## Inspection & Maintenance:

**Inspect** this item before each use.

- Ensure item is stable and level on the ground
- Check to see that legs are secure and bolts/screws are snug

**General Maintenance** should be performed monthly-quarterly as needed to help reduce potential injuries and extend the life of your natural product.

- Tighten all screws/bolts to ensure they are snug

## Tools Needed:

1. Screw Driver

## Recommended:

1. Drill

## Other Materials Needed:

1. Towel or soft surface to lay Polycarbonate Sheet on

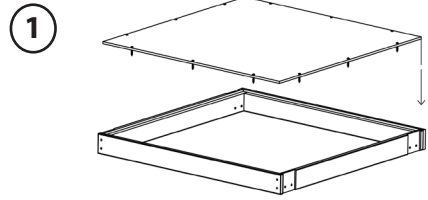
## Parts List:

- 1 - Polycarbonate Sheet
- 1 - Frame
- 4 - Table Legs
- 2 - End Cross Braces
- 1 - Center Cross Brace

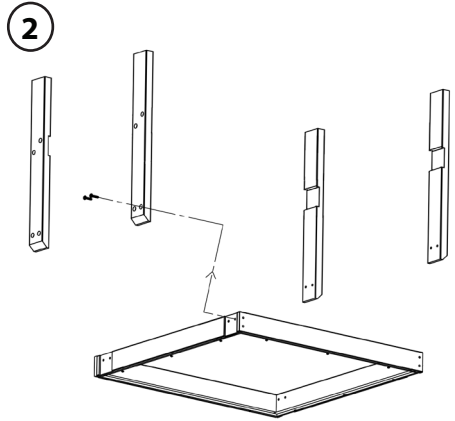
## Hardware:

- 12 - Small Screws
- 20 - Large Screws

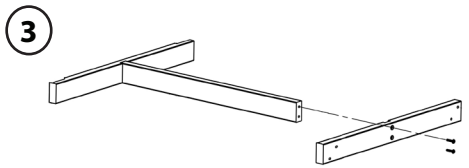
**1** Lay out the Frame. Next, inlay the Polycarbonate Sheet using the twelve screws.



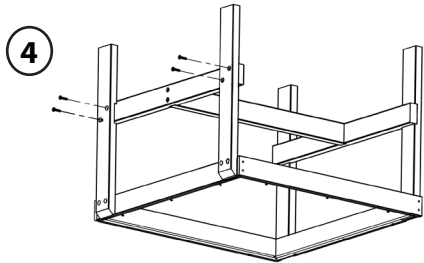
**2** Flip the table top upside-down laying the Polycarbonate on a towel or soft surface. Secure the Table Legs to the Frame using eight screws.



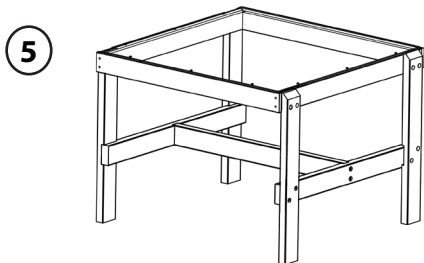
**3** Next, create the 'I-shaped' support structure using the two End Cross Braces and the Center Cross Brace. Secure these three pieces with four screws.



**4** With a helper, attach the 'I-shaped' support structure to the Table Legs using eight screws.



**5** Carefully, turn the Creativity Table right side up. Use caution not to apply excessive lateral forces to the Table Legs. Place the table on a flat, level surface. Congratulations, your Creativity is now ready to use!



**Nature Explore Natural Products** are designed to bring children closer to nature and help them develop life-long learning skills. To ensure safety and effectiveness, please be sure to follow the instructions for assembly, installation, warnings, and maintenance. Failure to follow all of the instructions will void any warranty offer. Keep in mind, even properly installed Nature Explore Natural Products can present hazards to children without adequate supervision. Also be sure to check with any applicable building codes which may pertain to your outdoor space and/or use of these products.

Depending on the location and context of the outdoor classroom, the supervisors may be paid professionals (full-time park or school/child care facility staff), paid seasonal workers (college or high school students), volunteers (PTA members), or the parents of the children playing in the outdoor classroom. Ultimately the overall safety of the space depends on the quality of the supervisor's knowledge of safe play behavior. Therefore, supervisors should understand the basics of safety in an outdoor classroom.

Outdoor classroom supervisors should be aware that not all equipment and natural products are appropriate for all children who may use the outdoor classroom. Posted signs or labels indicating the appropriate age of the users should be checked before play begins, and supervisors should direct children to equipment and natural products appropriate for their age. It is also very important to recognize that younger children require more attentive supervision than older children do.

### **Building Codes:**

Variations in building codes, specific local development covenants, or site conditions may require modification to the installation of the natural product. Outdoor classroom owners are ultimately responsible for complying with all applicable permits, building codes and other regulatory requirements, and should review their outdoor classroom with local building inspectors. All appropriate building permits should be obtained prior to starting installation.

### **Liability:**

Nature Explore shall have no liability or responsibility for actions or inaction in connection with any Nature Explore Natural Product or any damage or liability that arises during the construction and/or use. Always read and observe all safety precautions provided by the Consumer Product Safety Council regarding toy safety, playground safety, and any other applicable programs. Likewise, always read and observe all safety precautions provided by any tool or equipment manufacturer consulted during installation.